

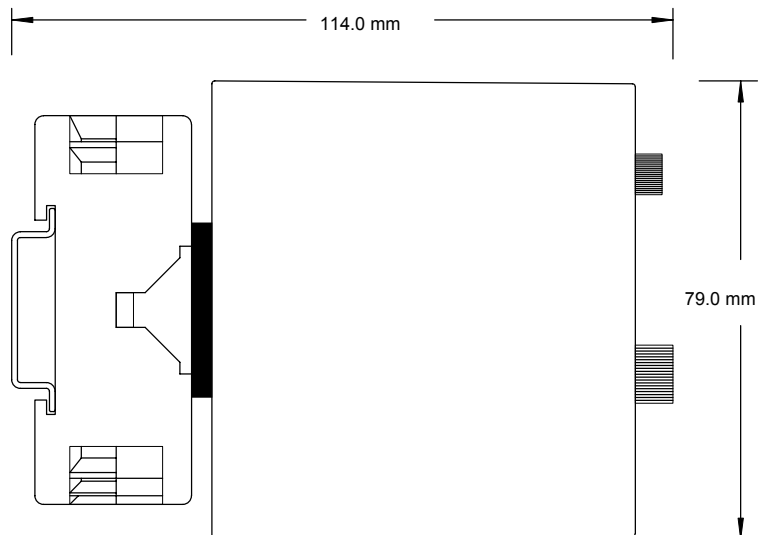
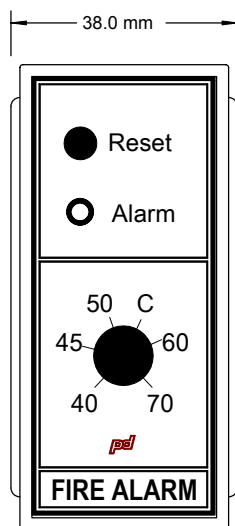
### FIRE ALARM THERMOSTAT PV 24

Fire alarm thermostat PV 24 is a safety device for a ventilating unit. PV 24 stops the fan and triggers an alarm when the temperature in the ventilating duct exceeds the set point. Alarm is triggered also if a sensor wire is cut.

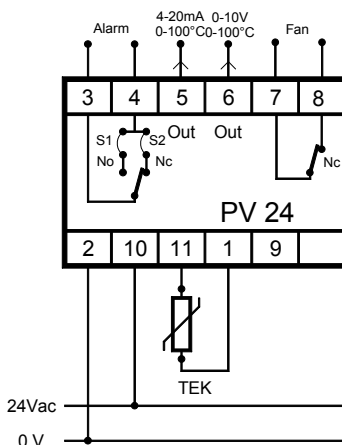
After the fault has been eliminated, the device will remain in the alarm-mode until reseted by the 'reset' button or the supply voltage is cut off.

The sensor is a 1000  $\Omega$  PTC thermistor sensor (TEK 1000).

The action (No/Nc) of the alarm contact is selected at the commissioning.



#### Connection:



#### Technical data:

Supply voltage	24 Vac, 2 VA
Control relay	6 A/230 V
Alarm relay	1 A/60 V
Sensor	1000 $\Omega$ /25 °C
Dimensions w x h x d	35 x 79 x 95 mm