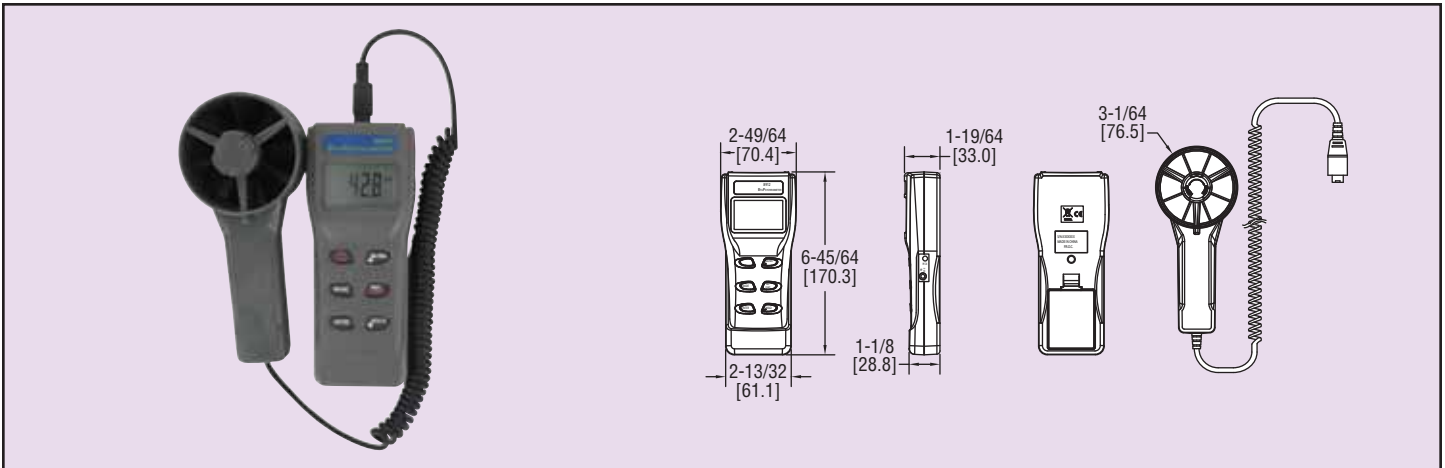




Model  
8912

# Vane Thermo-Anemometer

Measures Air Velocity, Air Volume, Temperature, Humidity, and BTU



Measure air velocity, air volume, temperature, humidity, and BTU with the Model 8912 Vane Thermo-Anemometer. The large 1.7" (44 mm) display allows users to easily view readings. User-selectable wind speed units include ft/min, m/s, knots, mph, and km/hr. In addition to these functions, the 8912 is capable of measuring relative humidity, wet bulb temperature, dew point, and BTU capacity. A built-in sensor records ambient temperature in °F or °C. Model 8912 features include data hold, the ability to record minimum, maximum, and average readings on a single point, and an RS-232 interface setting. The Model 8912 also features a detachable probe for easy replacement, if necessary. The units can record and average up to 2 hours of data while displaying the continuous running average. Each unit includes hard carrying case, four AAA batteries, calibration data tag and instruction manual. This versatile meter is perfect for HVAC inspection, energy audits and balancing applications.

**Model 8912**, Vane Thermo-Anemometer  
**A-549**, Replacement Probe with Vane  
**A-552**, USB Cable and RS-232 Software

## SPECIFICATIONS

### AIR VELOCITY

**Range:** 188 to 6299 ft/min (0.6 to 32 m/s).

**Accuracy:** ±5% of reading or last significant digit (whichever is greater).

**Resolution:** 0.1 ft/min (0.1 m/s).

**Response Time:** 1 second.

### TEMPERATURE

**Range:** -4 to 140°F (-20 to 60°C).

**Accuracy:** ±1°F (±0.6°C).

**Resolution:** 0.1°F/°C.

**Response Time:** 60 seconds.

### RELATIVE HUMIDITY

**Range:** 0 to 100%.

**Accuracy:** ±3% @ 25°C from 10 to 90% RH. Outside this range: ±5%.

**Resolution:** 0.10%.

**Response Time:** 60 seconds.

### AIR VOLUME

**Range:** 0 to 99999 (CFM or m³/s).

**Accuracy:** ±5% of reading or last significant digit (whichever is greater).

**Resolution:** 0.1 (0 to 9999.9) or 1 (10000 to 99999).

**Response Time:** 1 second.

### WET BULB

**Range:** -7.6 to 158°F (-22 to 70°C).

**Resolution:** 0.1°F/°C.

**Display:** 1 x 1.8" (26 x 45 mm).

**Serial Communications:** 9600 bps, 8 data bits, no parity.

**Power Supply:** 4 AAA batteries.

**Battery Life:** 100 hours.

**Vane Diameter:** 3" (77 mm).

**Weight:** 6 oz (170 g).

**Agency Approvals:** CE.