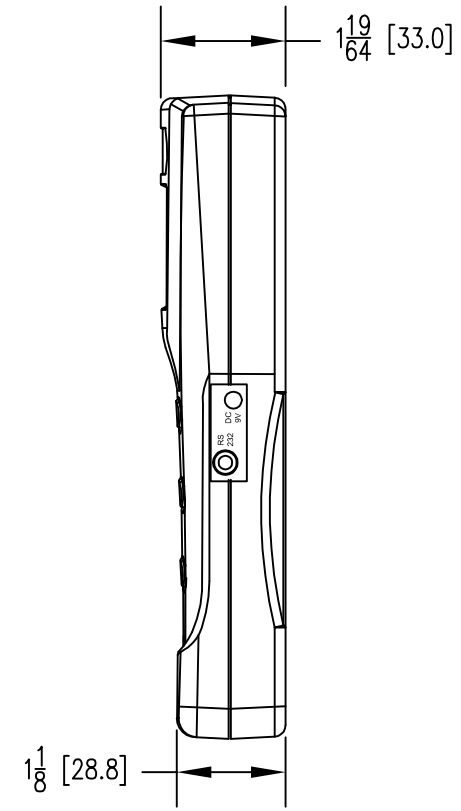
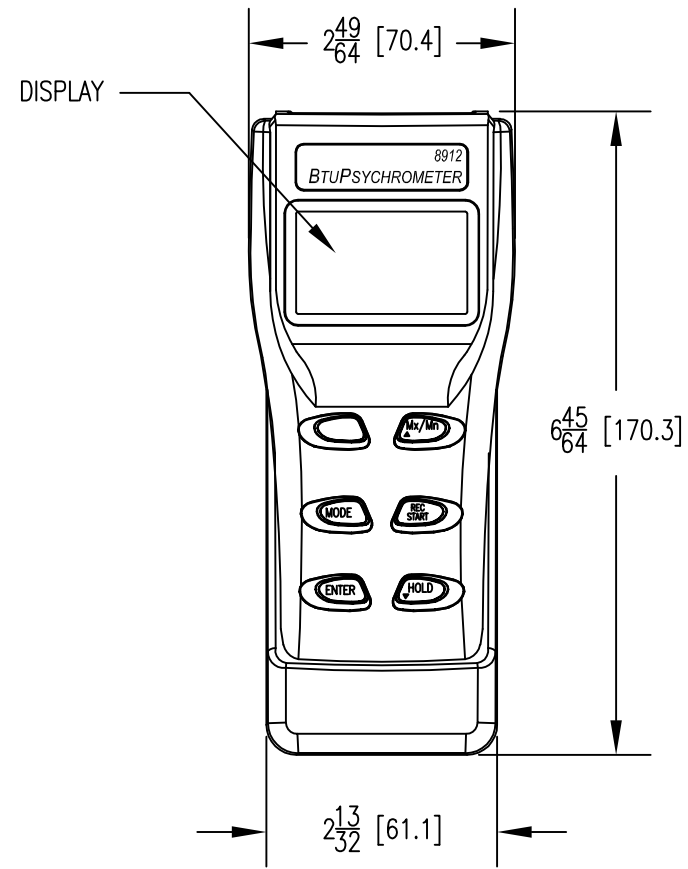
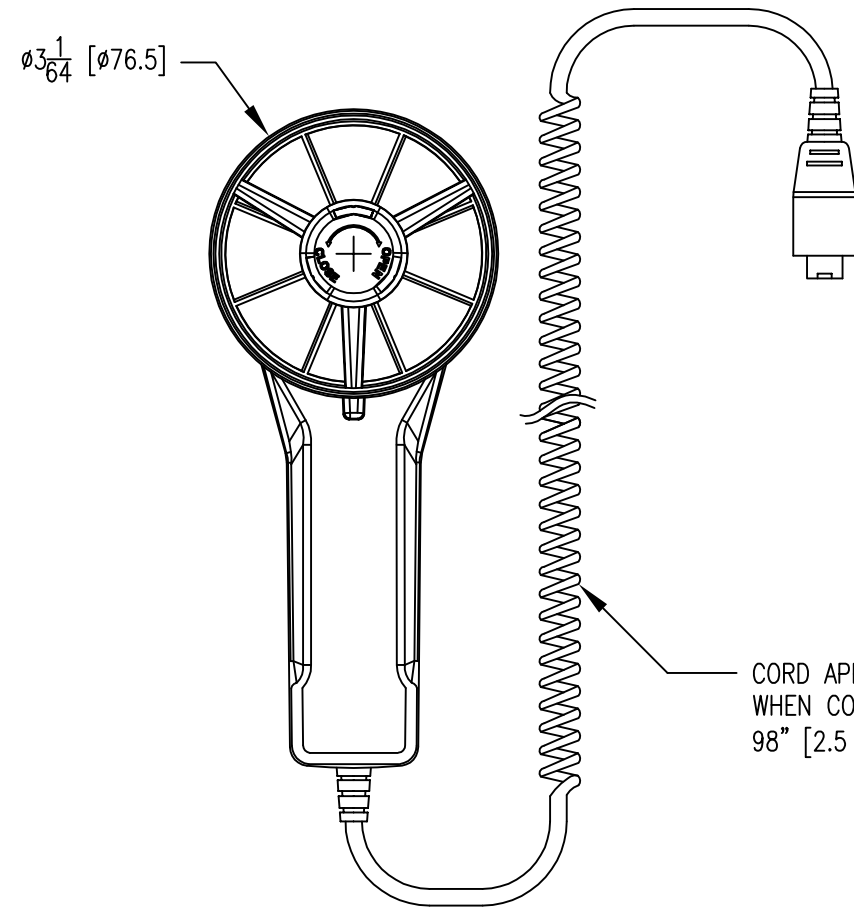
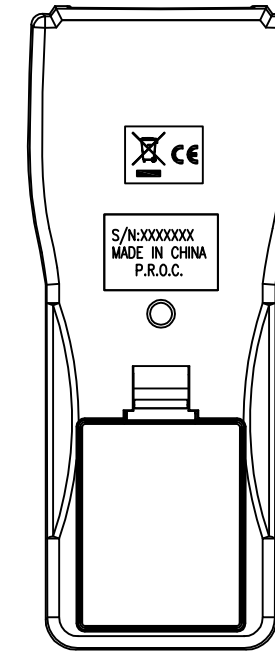


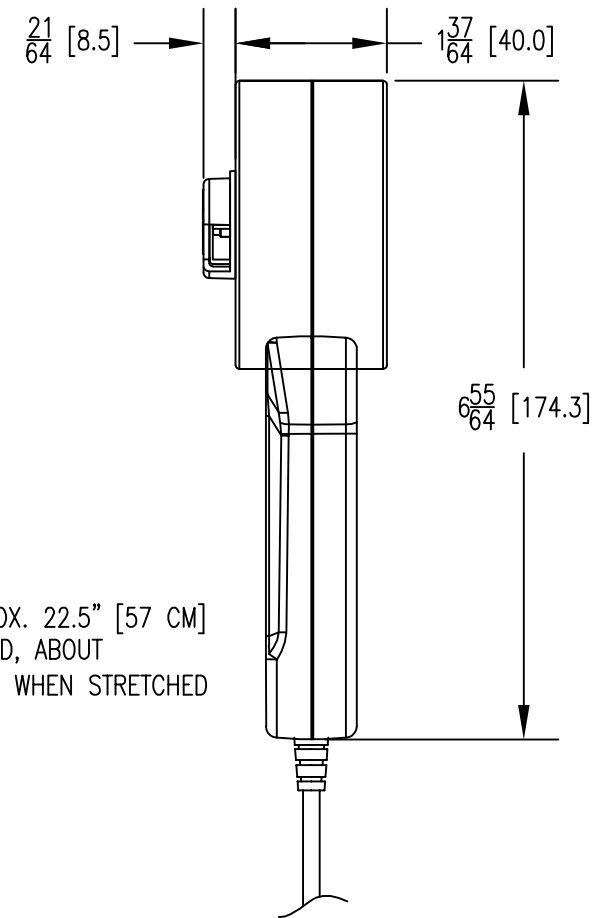
DETAILED BUTTON OVERLAY VIEW
SCALE 1:1.5



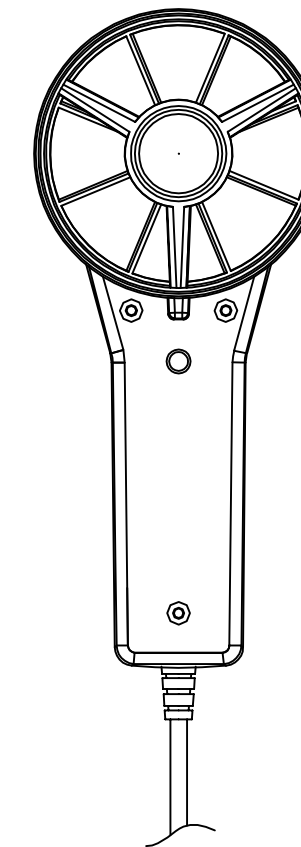
VANEOMETER



CORD APPROX. 22.5" [57 CM]
WHEN COILED, ABOUT
98" [2.5 M] WHEN STRETCHED



VANE PROBE W/CABLE



Ⓢ = CRITICAL DIMENSION
STANDARD TOLERANCES UNLESS NOTED:
ALL DECIMAL DIMENSIONS ± .005
ALL ANGLES ± 1°

SCALE 1:2

		DATE	NAME	MATERIAL
		DWN BY	8912 VANEOMETER	FINISH
		CHKD		DWYER INSTRUMENTS, INC. MICHIGAN CITY, INDIANA 46360 U.S.A.
		APPD		
NO.	CHANGES	BY/DATE	ACAD2002	FR. NO.
<small>NOTICE: This drawing and the principles and elements of design embodied therein are the exclusive property of DWYER INSTRUMENTS, INC. and are not to be communicated, disclosed, reproduced or used except as previously authorized in writing by such corporation and must not be submitted to outside parties for examination without the written consent of said corporation.</small>				3